

Mt Doug Cross Road @ Braefoot Road

Tuesday, October 17, 2017



The data presented here is for information purposes only and should not be considered authoritative for construction, geotechnical, engineering, navigational, legal, or other site-specific uses. The information shared is owned by the Transportation Division of the Engineering Department at the District of Saanich. Accuracy is not guaranteed.

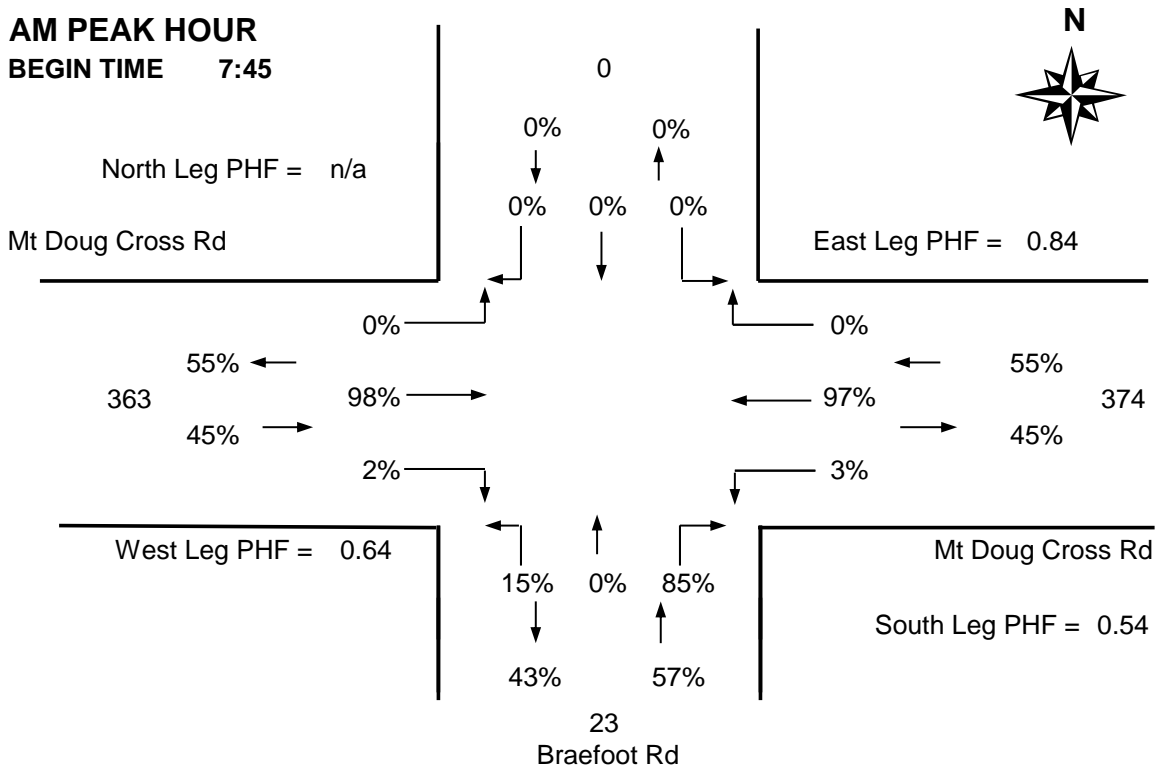
DISTRICT OF SAANICH 2017 TRAFFIC COUNTS

Major Route: Mt Doug Cross Road
Minor Route: Braefoot Road
Date: Tuesday, October 17, 2017
Filename: Mt Doug Cross@Braefoot-Oct17-2017.xls

Station #: TIN000627
Intersection Type: 3-leg south approach
East/West Route: Mt Doug Cross Road
Weather: Rain and wet

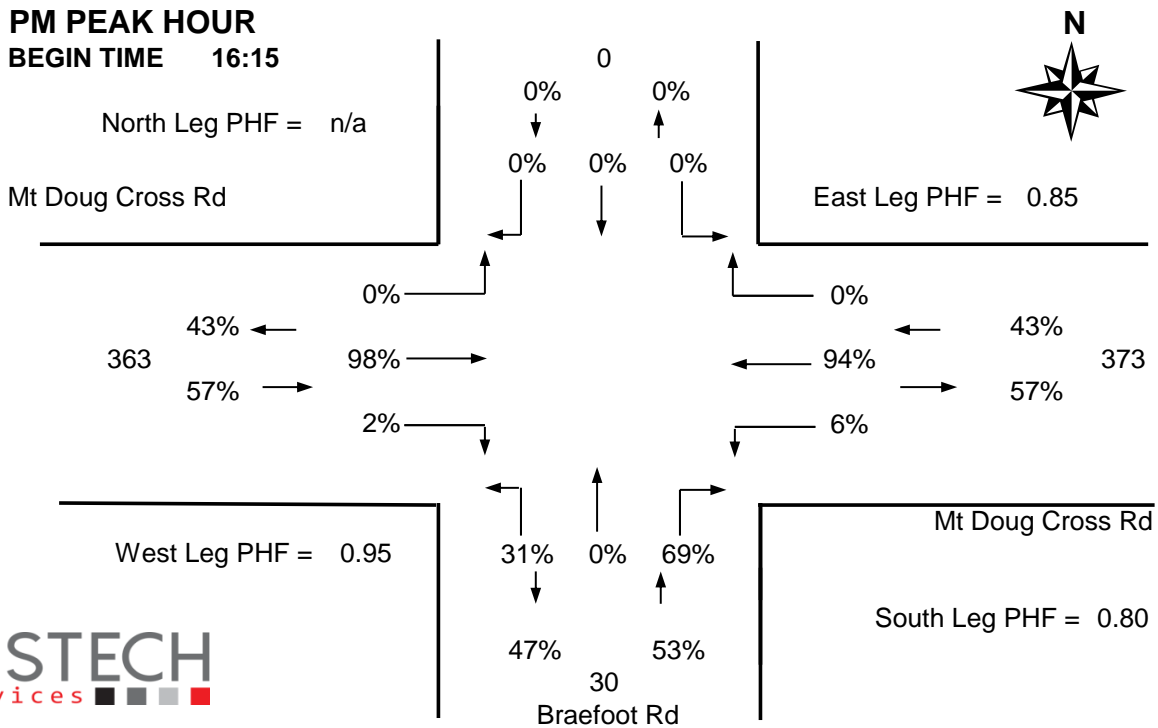
AM PEAK HOUR

BEGIN TIME 7:45



PM PEAK HOUR

BEGIN TIME 16:15



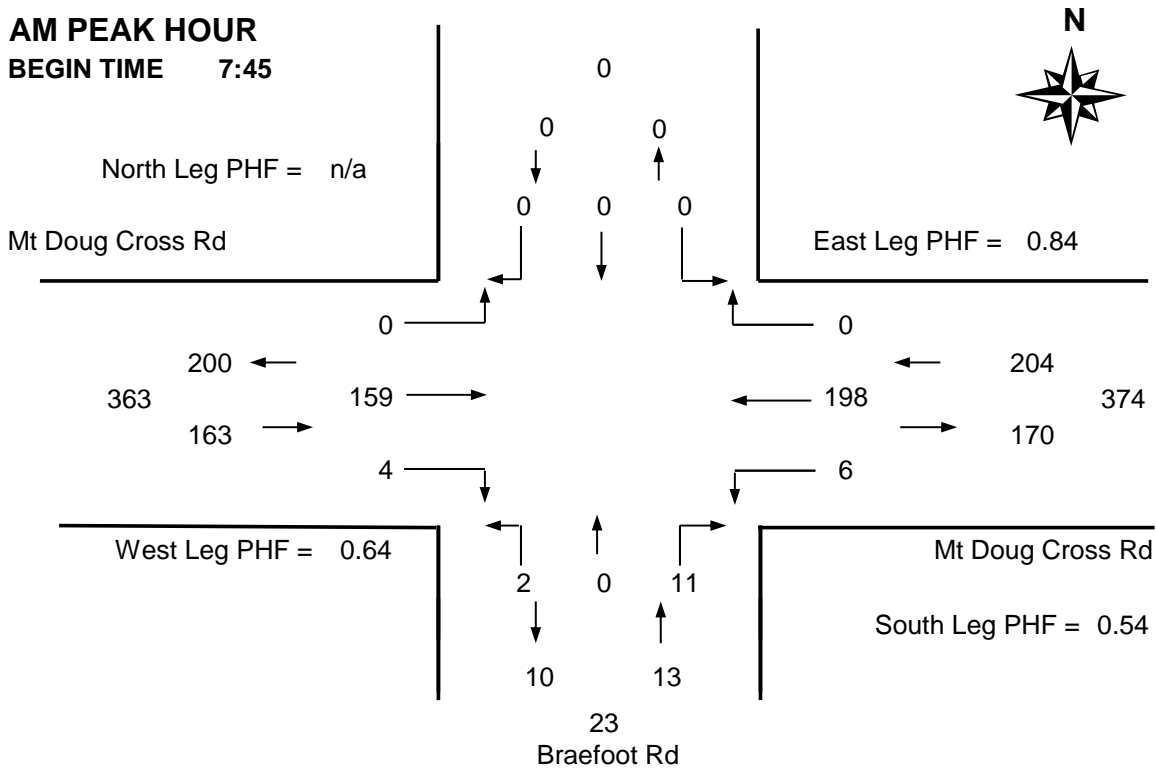
DISTRICT OF SAANICH 2017 TRAFFIC COUNTS

Major Route: Mt Doug Cross Road
Minor Route: Braefoot Road
Date: Tuesday, October 17, 2017
Filename: Mt Doug Cross@Braefoot-Oct17-2017.xls

Station #: TIN000627
Intersection Type: 3-leg south approach
East/West Route: Mt Doug Cross Road
Weather: Rain and wet

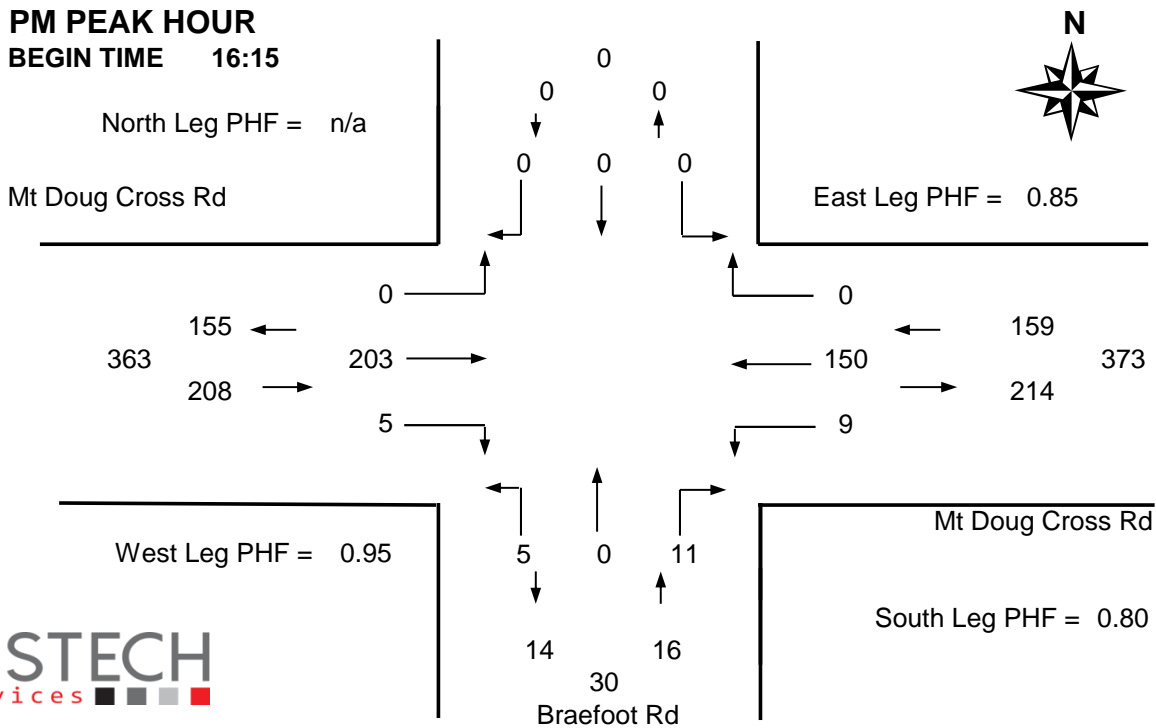
AM PEAK HOUR

BEGIN TIME 7:45



PM PEAK HOUR

BEGIN TIME 16:15



DISTRICT OF SAANICH 2017 TRAFFIC COUNTS

Major Route: Mt Doug Cross Road
Minor Route: Braefoot Road
Date: Tuesday, October 17, 2017
Filename: Mt Doug Cross@Braefoot-Oct17-2017.xls

Station #: TIN000627
Intersection Type: 3-leg south approach
East/West Route: Mt Doug Cross Road
Weather: Rain and wet

Comments:

Bicycle Data

Time Period Starting	From North			Braefoot Rd From South			Mt Doug Cross Rd From West			Mt Doug Cross Rd From East			15 Min Total	Hourly Total
	Left	Thru	Right	Left	Thru	Right	Left	Thru	Right	Left	Thru	Right		
	7:30				0		0		2	0	1	2		
7:45				0		0		2	0	0	5		7 *	-
8:00				1		0		0	0	0	7		8 *	-
8:15				0		0		1	0	0	10		11 +	31
8:30				0		0		0	0	0	2		2	28
8:45				0		0		4	2	1	2		9	30
9:00				0		0		1	0	0	1		2	24
9:15				0		0		0	0	0	2		2	15
Total	0	0	0	1	0	0	0	10	2	2	31	0	46	-
Pk Hr	0	0	0	1	0	0	0	5	0	1	24	0	31 *	-
15x4	0	0	0	4	0	0	0	8	0	4	40	0	44 +	-

15:30				0		0		0	0	0	1		1	-
15:45				0		0		3	0	0	1		4	-
16:00				1		0		2	0	0	1		4	-
16:15				0		0		6	0	0	2		8 *	17
16:30				0		1		3	0	0	1		5 *	21
16:45				0		0		9	0	0	1		10 +	27
17:00				0		0		5	1	0	2		8 *	31
17:15				0		0		4	0	0	1		5	28
Total	0	0	0	1	0	1	0	32	1	0	10	0	45	-
Pk Hr	0	0	0	0	0	1	0	23	1	0	6	0	31 *	-
15x4	0	0	0	0	0	4	0	36	4	0	8	0	40 +	-

4 Hr	0	0	0	2	0	1	0	42	3	2	41	0	91	182
-------------	----------	----------	----------	----------	----------	----------	----------	-----------	----------	----------	-----------	----------	-----------	------------

PEAK HOUR SUMMARY

